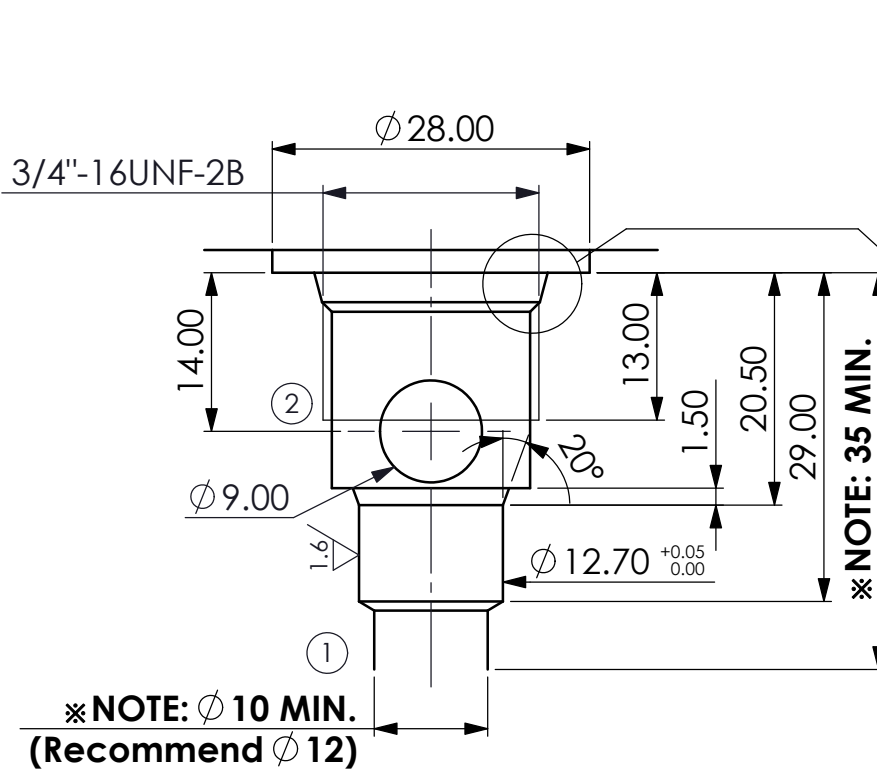
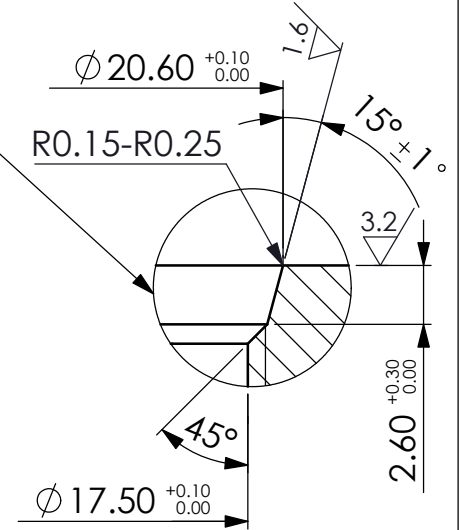


CAVITIES-TOOLING

Cavity-Tooling:08W-2

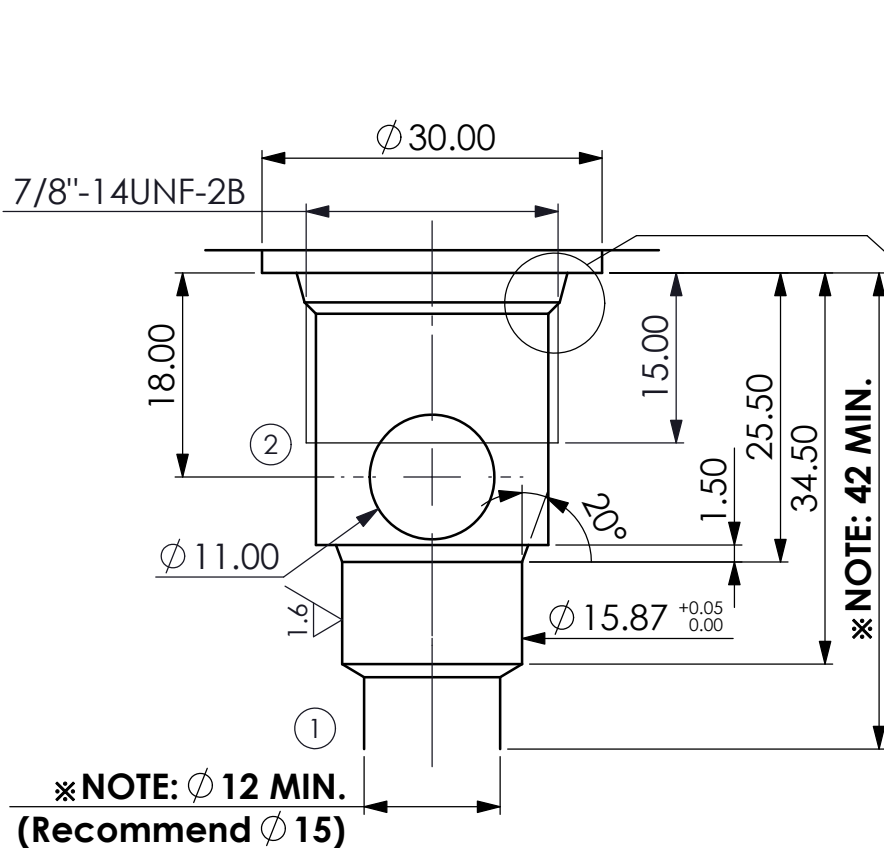


	0.03
	0.02

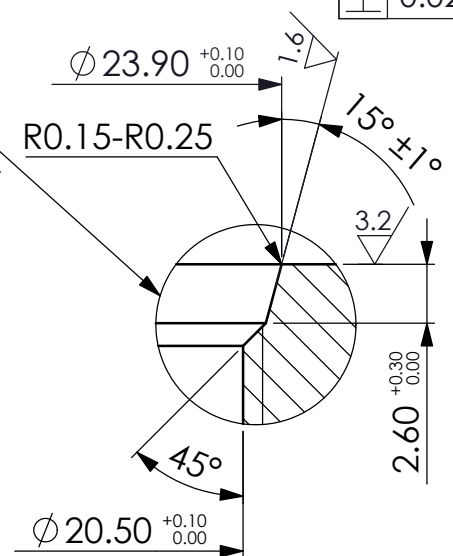


General tolerance: ± 0.3
UNIT:mm

Cavity-Tooling:10W-2



	0.03
	0.02



General tolerance: ± 0.3
UNIT:mm