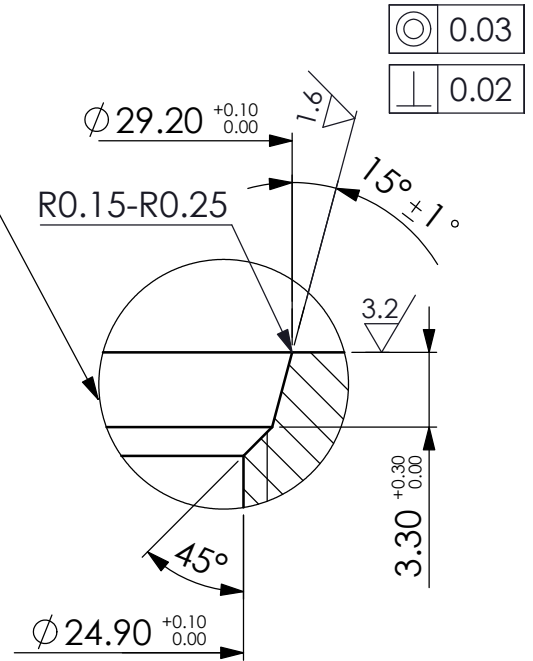
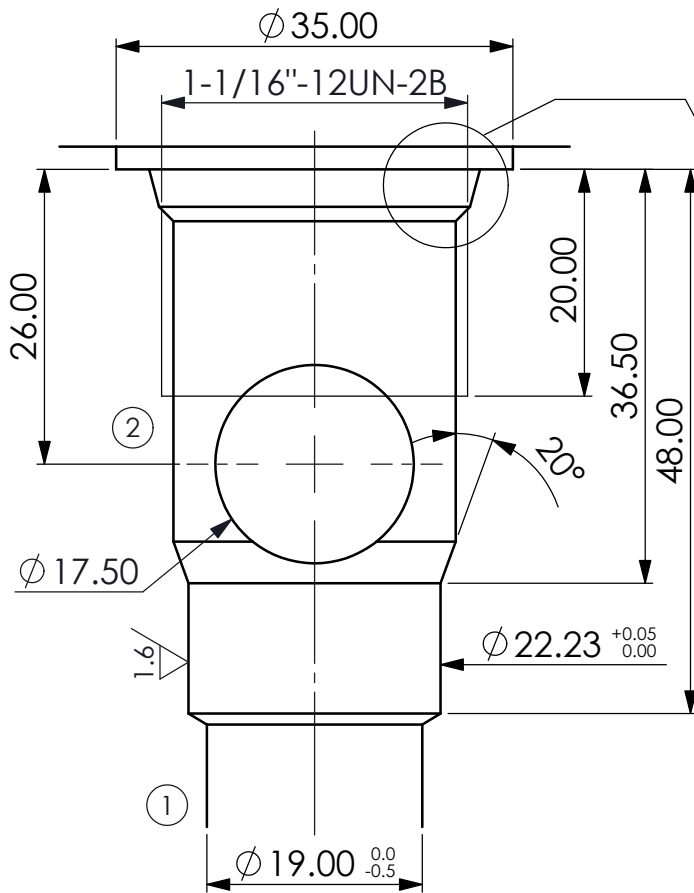


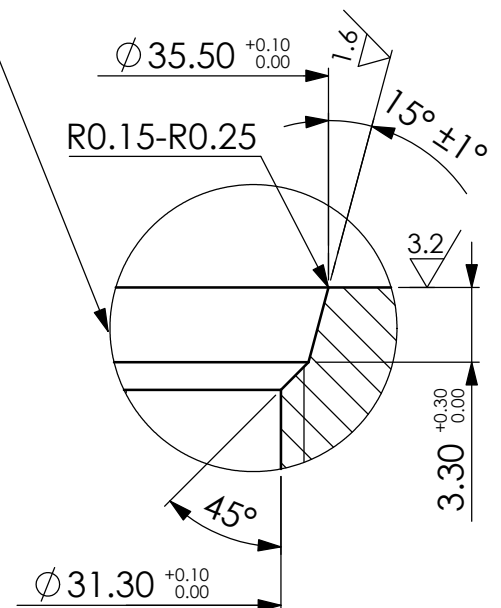
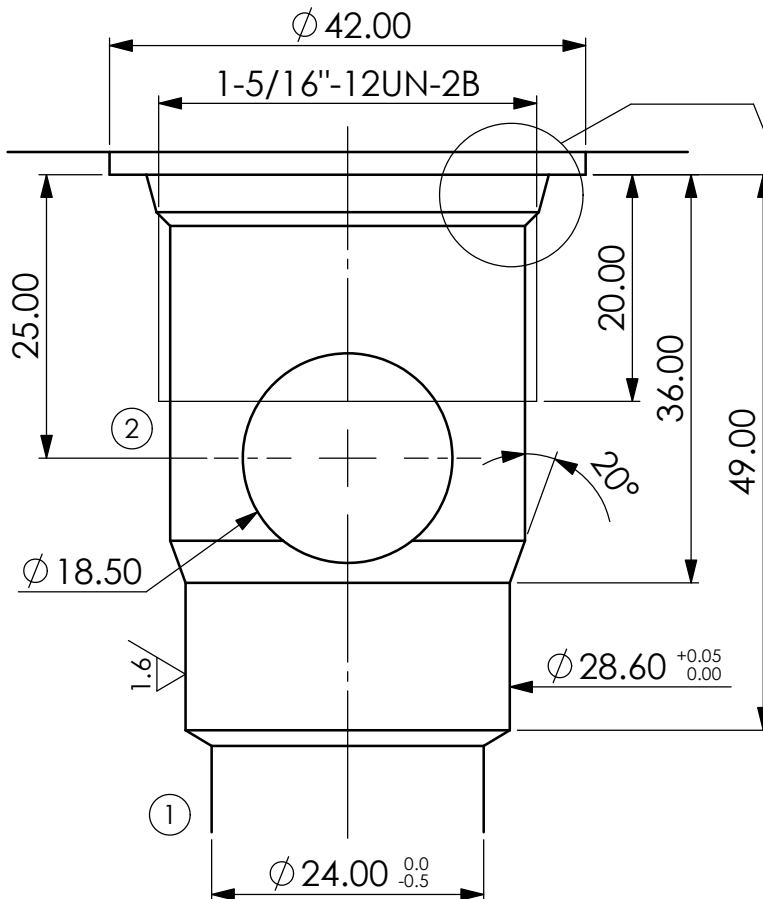
Cavity-Tooling:12W-2



	0.03
	0.02

General tolerance: ± 0.3
UNIT:mm

Cavity-Tooling:16W-2



	0.03
	0.02

General tolerance: ± 0.3
UNIT:mm