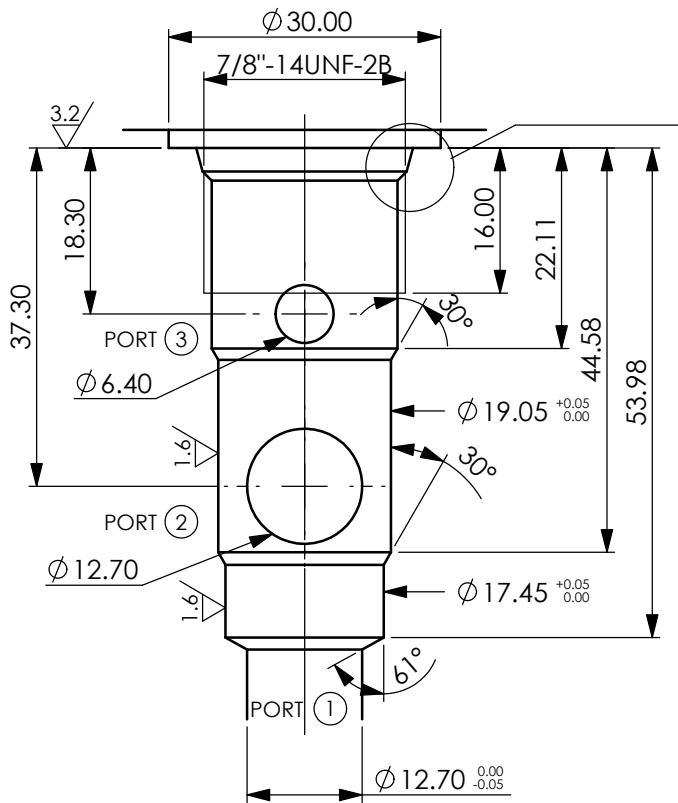


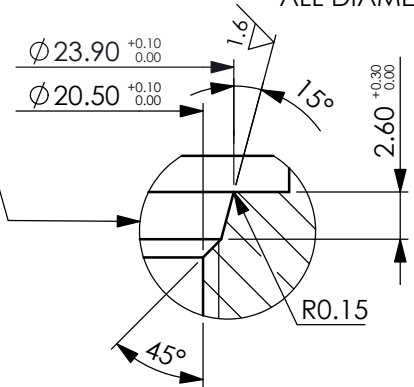
Cavity-Tooling: 10WB-3



$\text{⊙}$  0.03

$\text{⊥}$  0.02

THREAD AND ALL DIAMETERS



General tolerance:  $\pm 0.3$   
UNIT:mm