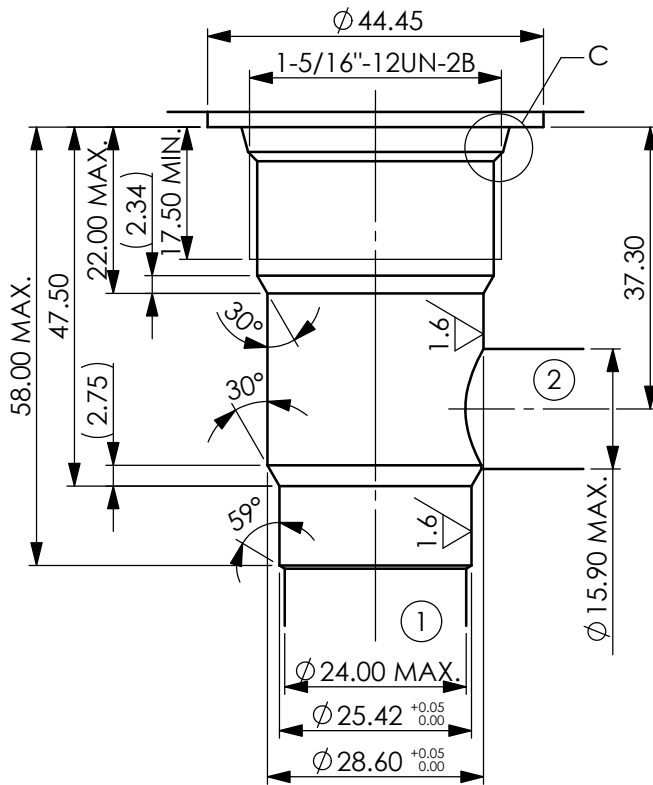
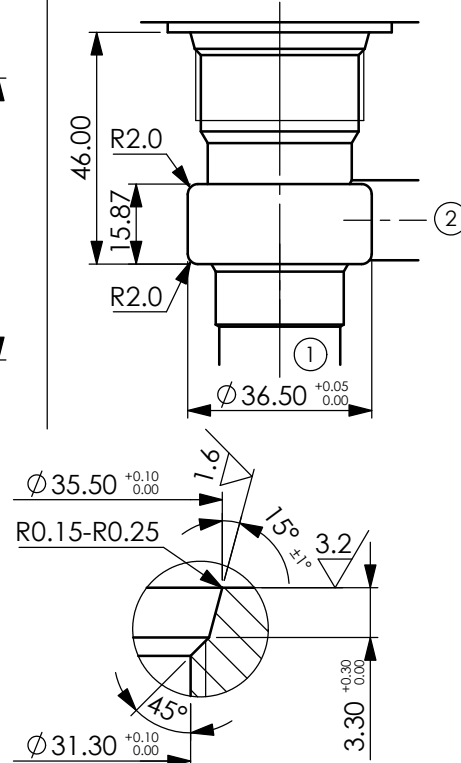


Cavity-Tooling:16WS-2



Cavity with annular groove



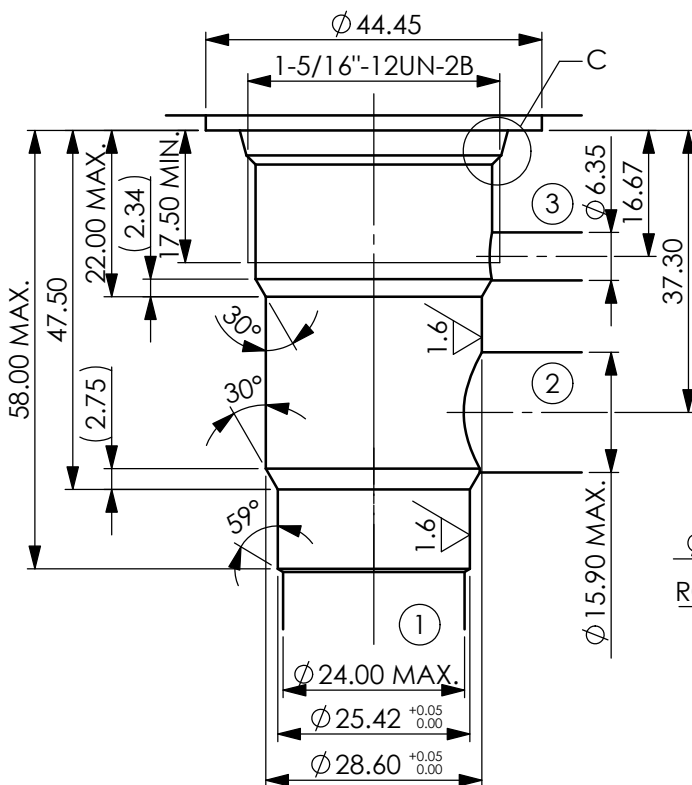
	0.03
	0.02

THREAD AND ALL DIAMETERS

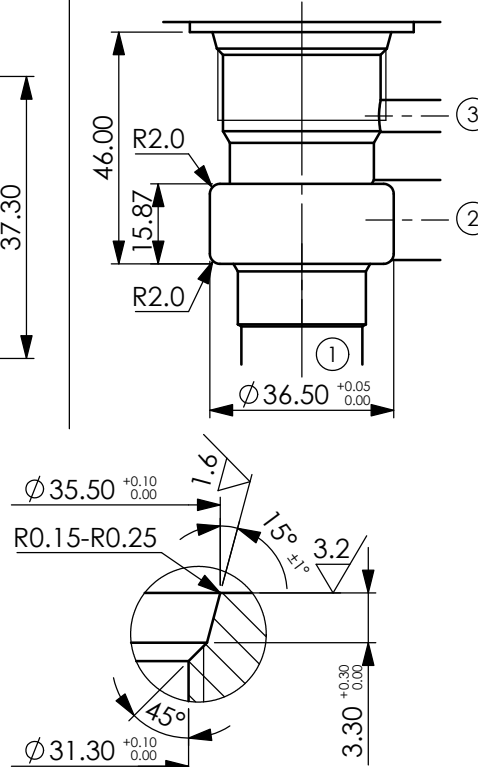
Detail view C

General tolerance: ±0.3
UNIT:mm

Cavity-Tooling:16WS-3



Cavity with annular groove



	0.03
	0.02

THREAD AND ALL DIAMETERS

Detail view C

General tolerance: ±0.3
UNIT:mm