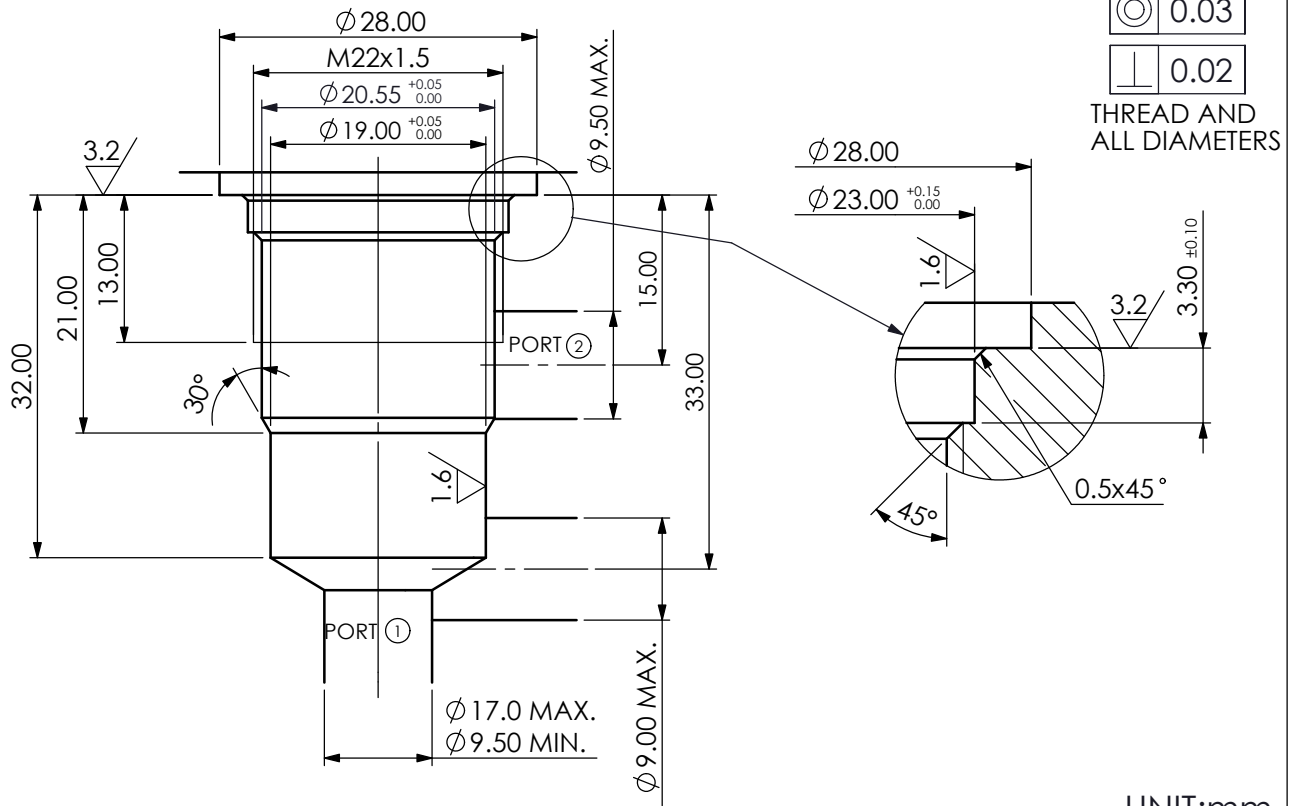


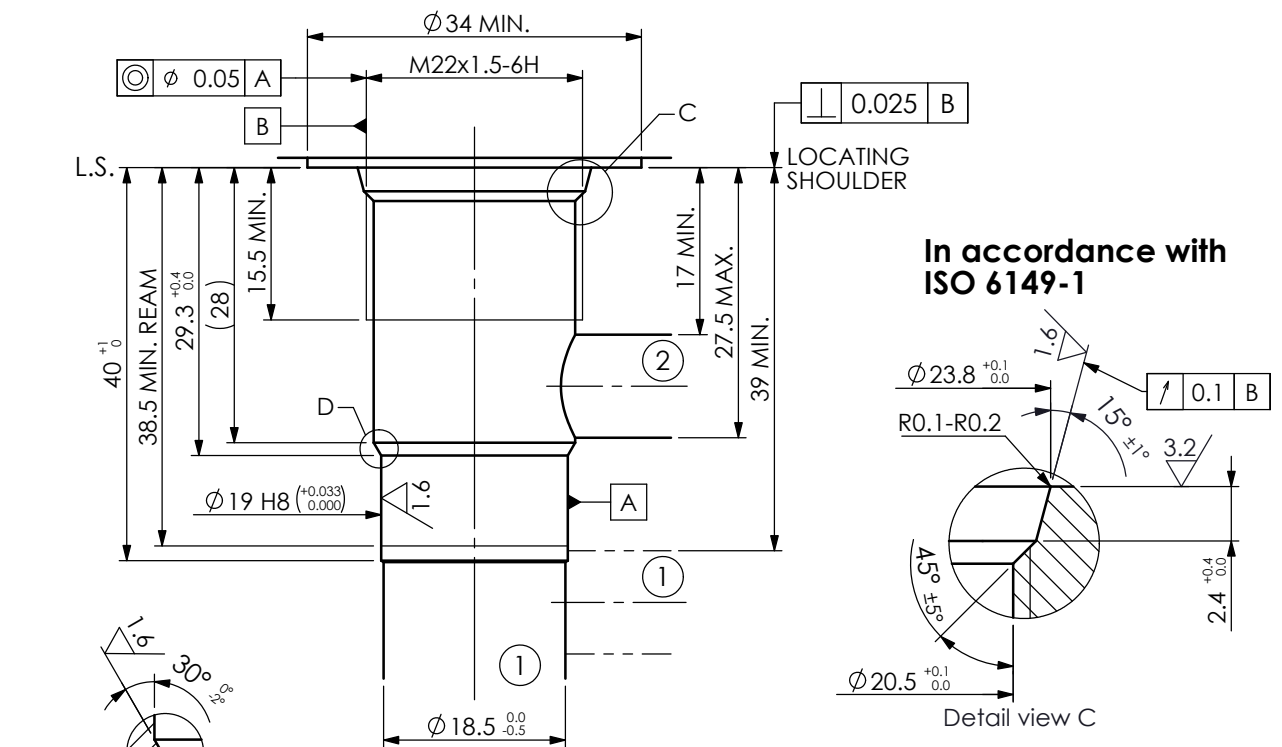
Cavity-Tooling:22M-2



UNIT:mm

Cartridge Cavity ISO 7789-22-01-0-07

Cavity-Tooling:22ML-2



Detail view D

General tolerances ISO 2768-1
UNIT:mm