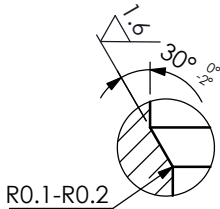
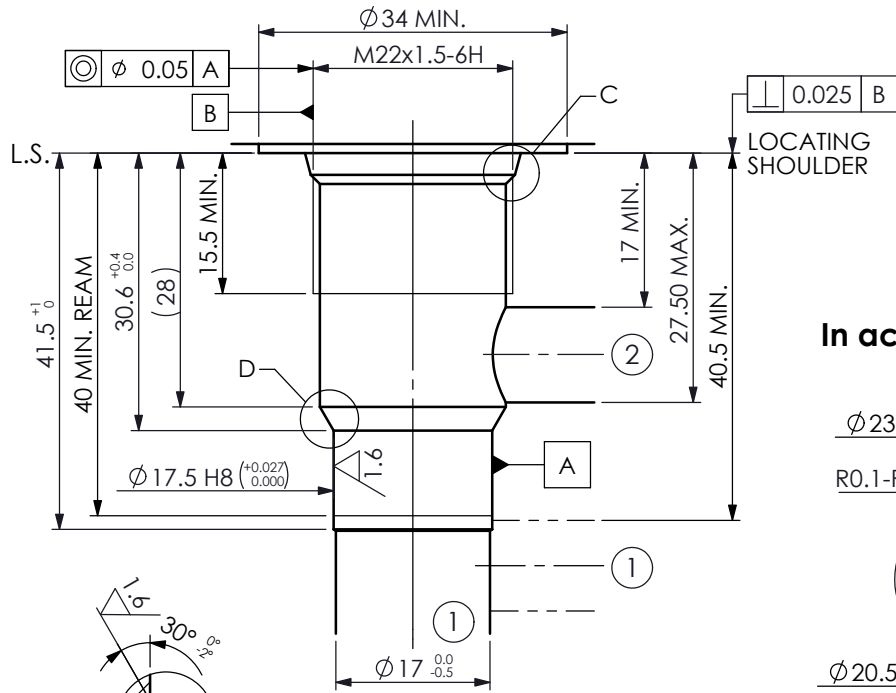


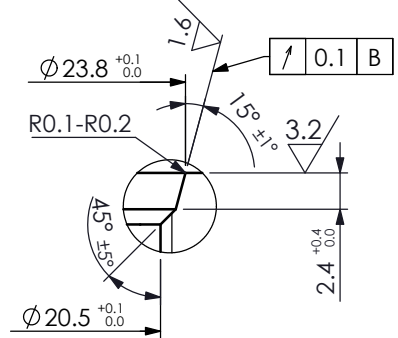
### Cartridge Cavity ISO 7789-22-02-0-07

Cavity-Tooling:22MA-2



Detail view D

In accordance with ISO 6149-1



Detail view C

General tolerances ISO 2768-1  
UNIT:mm