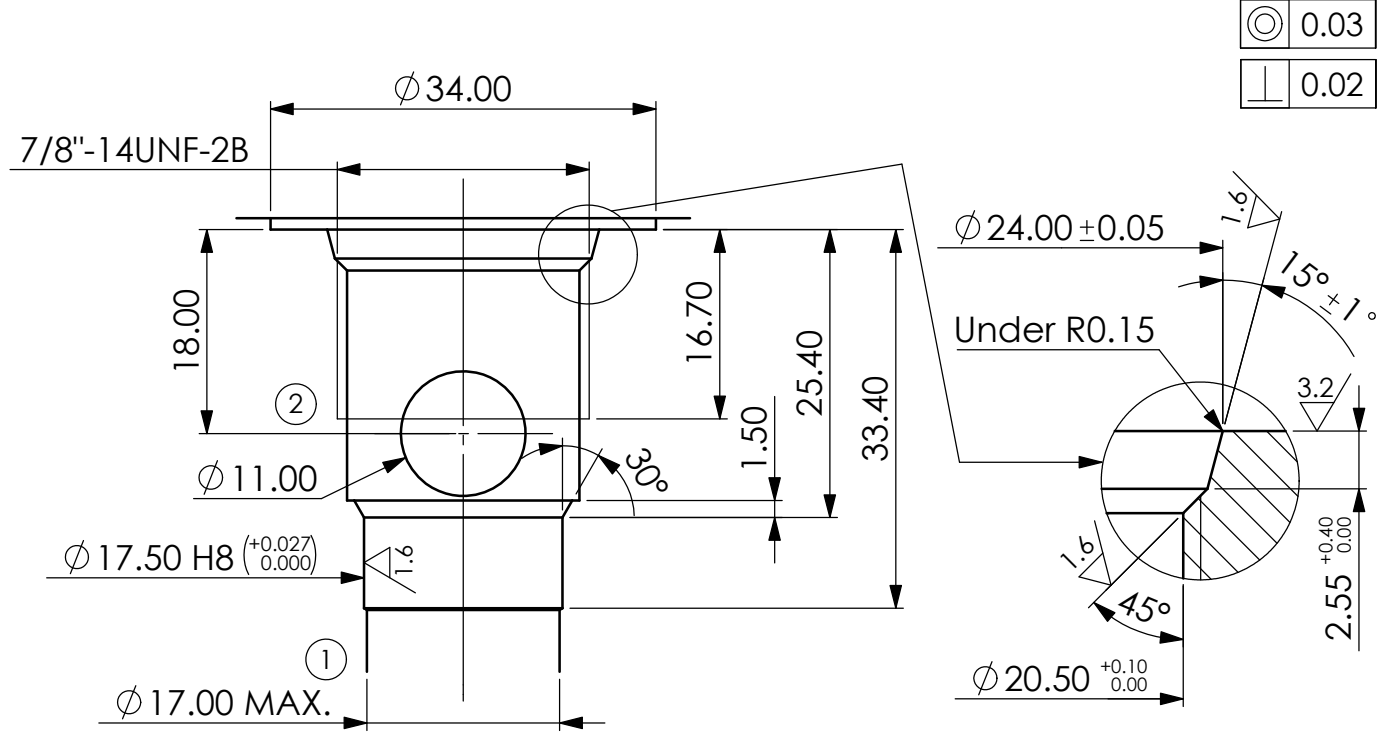


Cavity-Tooling: 76E-2



General tolerance: ± 0.3
UNIT: mm