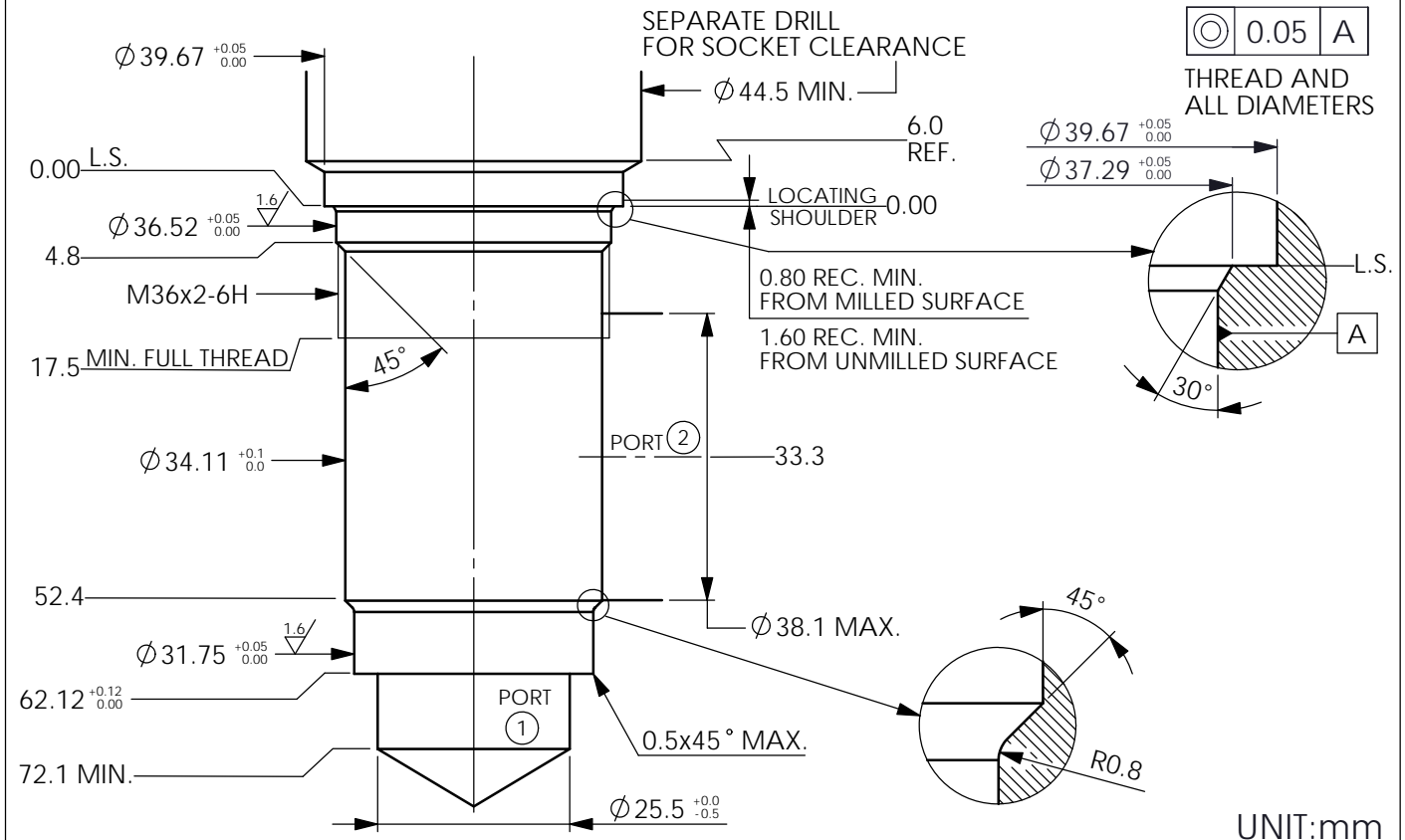


Cavity-Tooling:16A-2



Cavity-Tooling:18A-2

