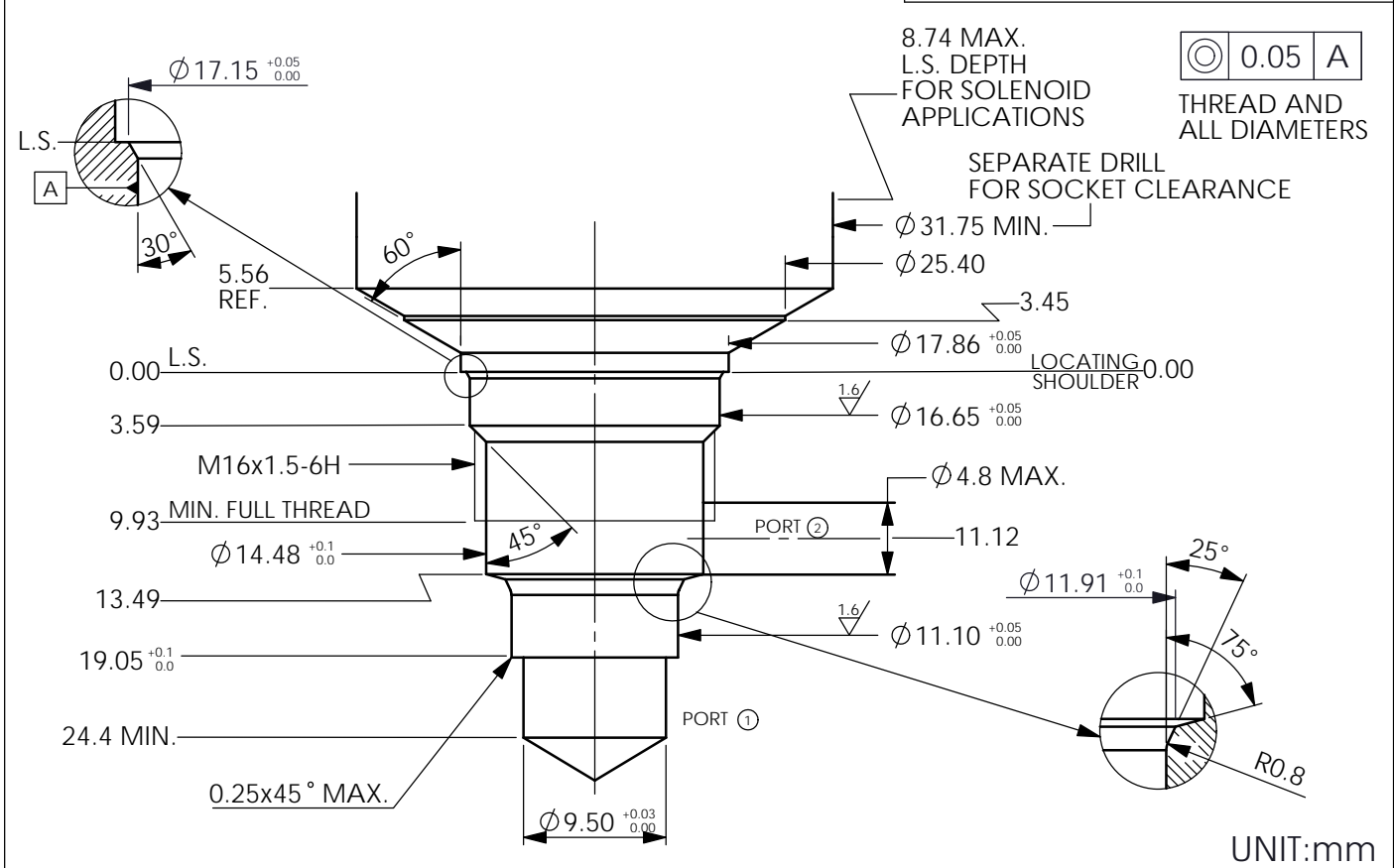


## CAVITIES-TOOLING

Cavity-Tooling:8A-2



Cavity-Tooling:162A-2

