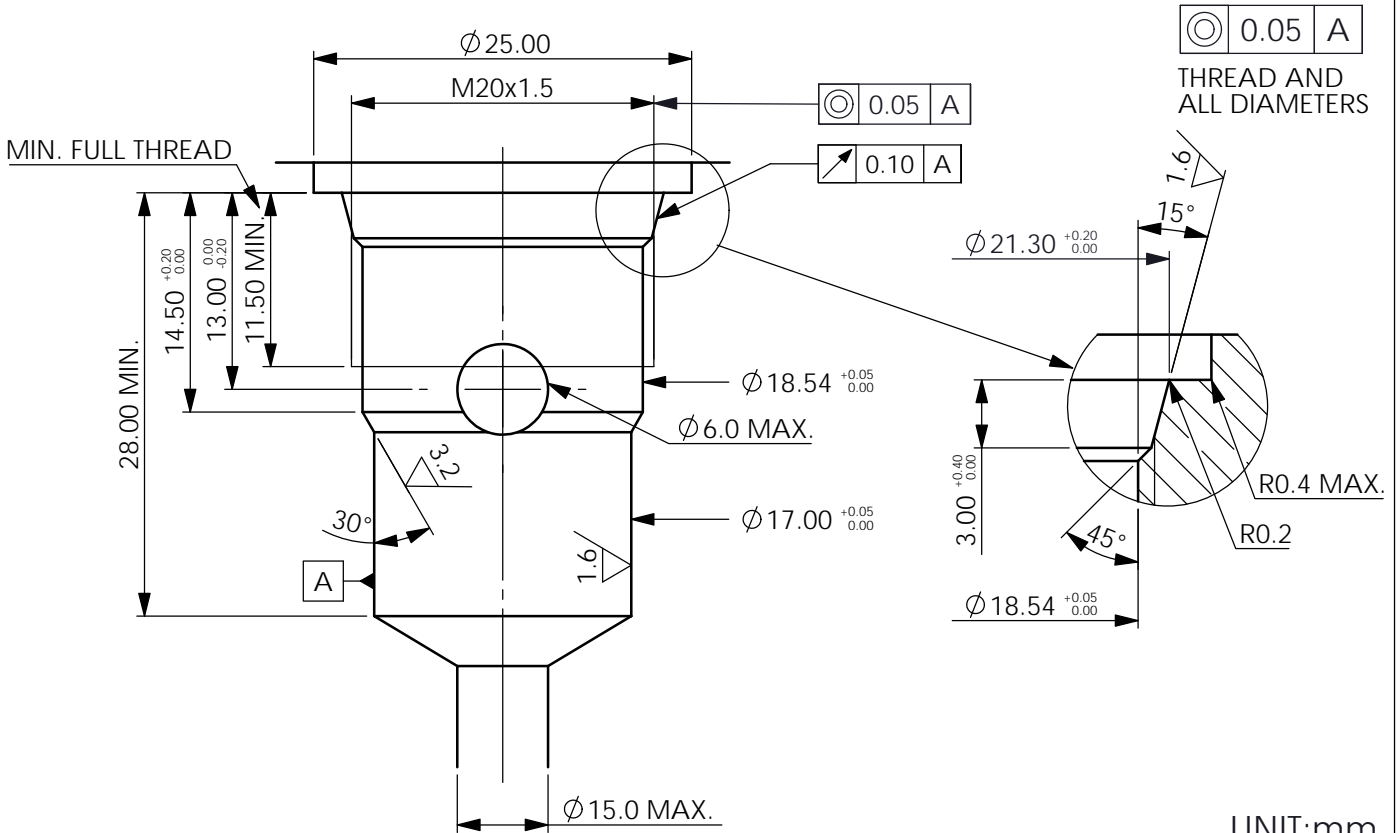


CAVITIES-TOOLING

Cavity-Tooling:20MB-2



Cavity-Tooling:28M-2

