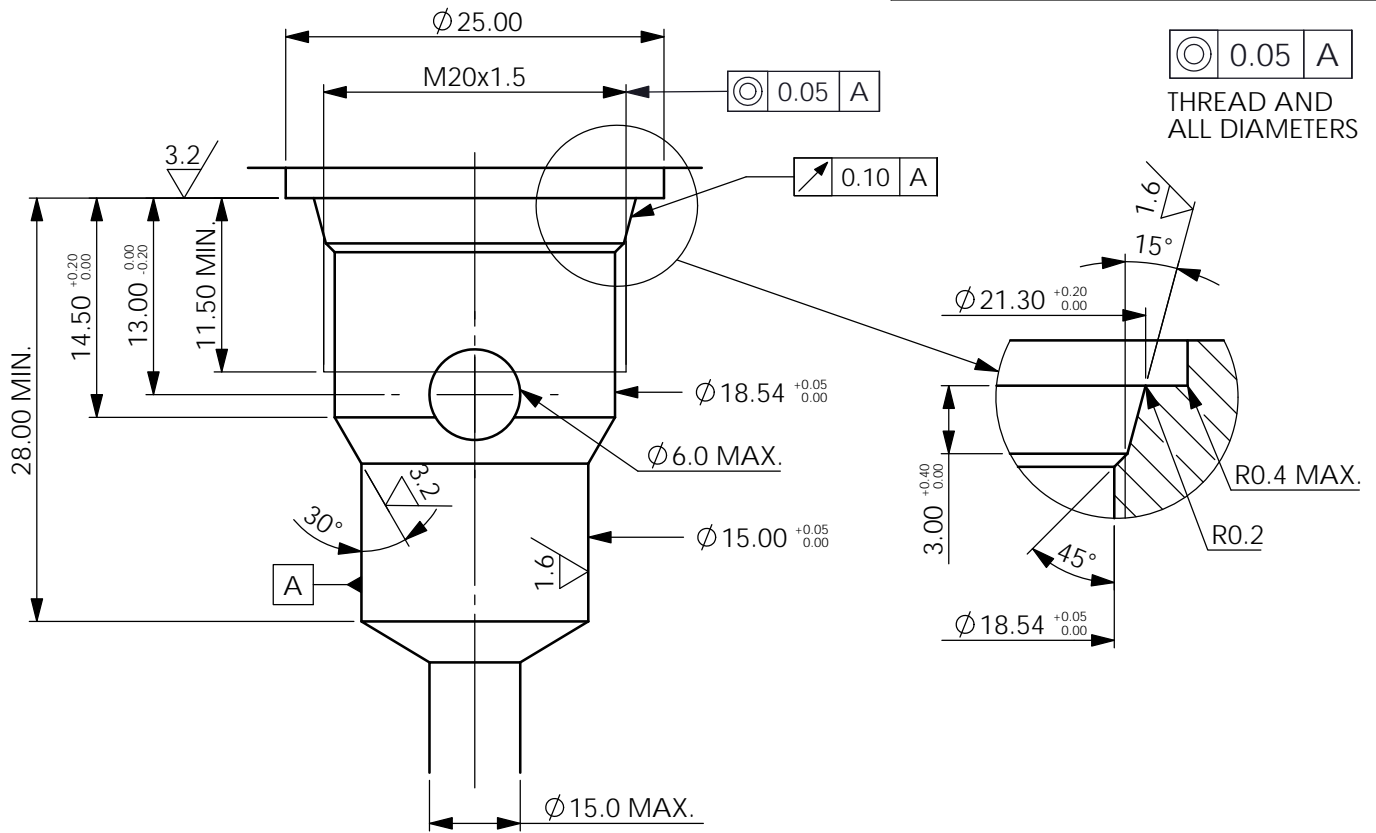
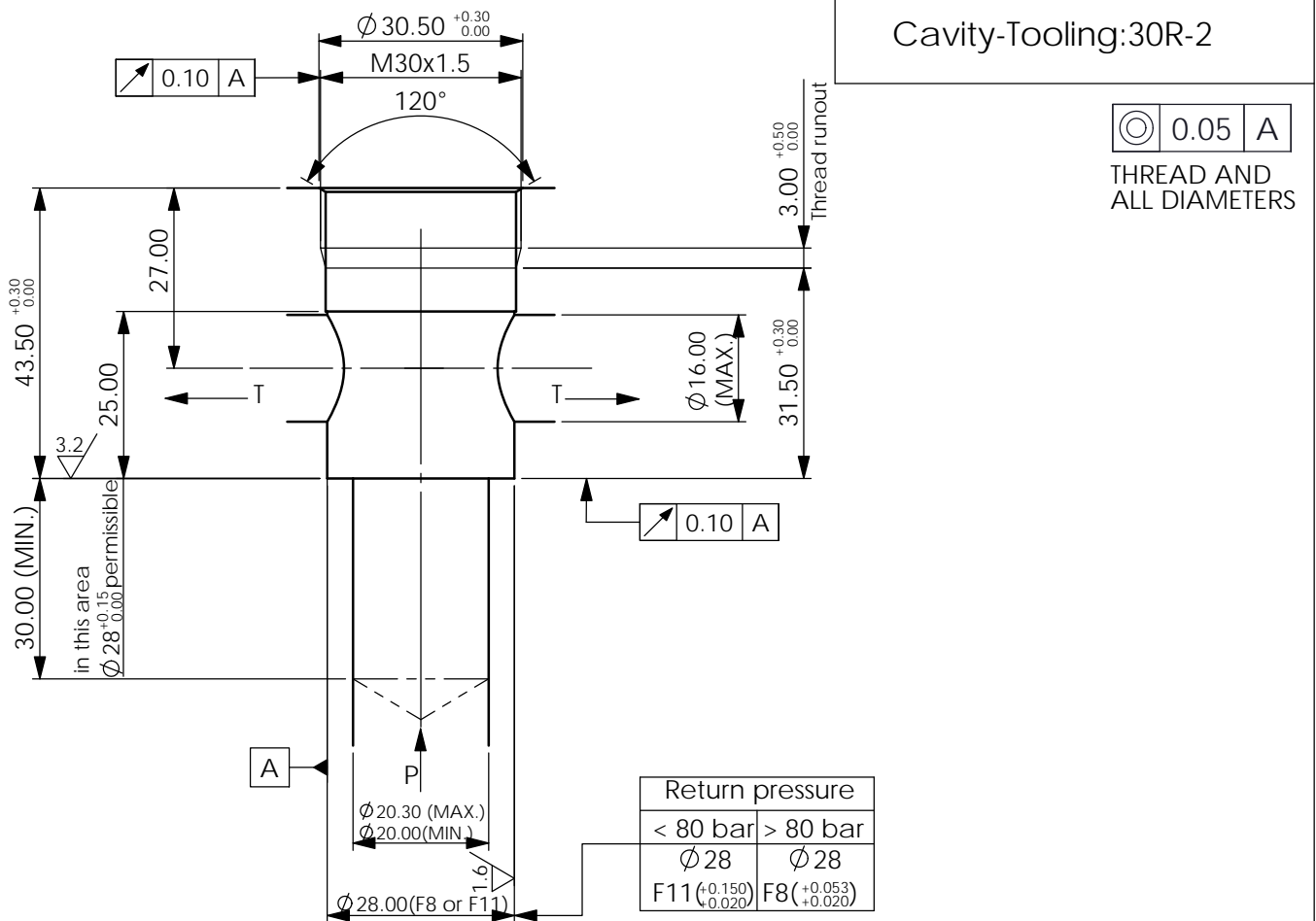


Cavity-Tooling:20M-2



UNIT:mm

Cavity-Tooling:30R-2



UNIT:mm