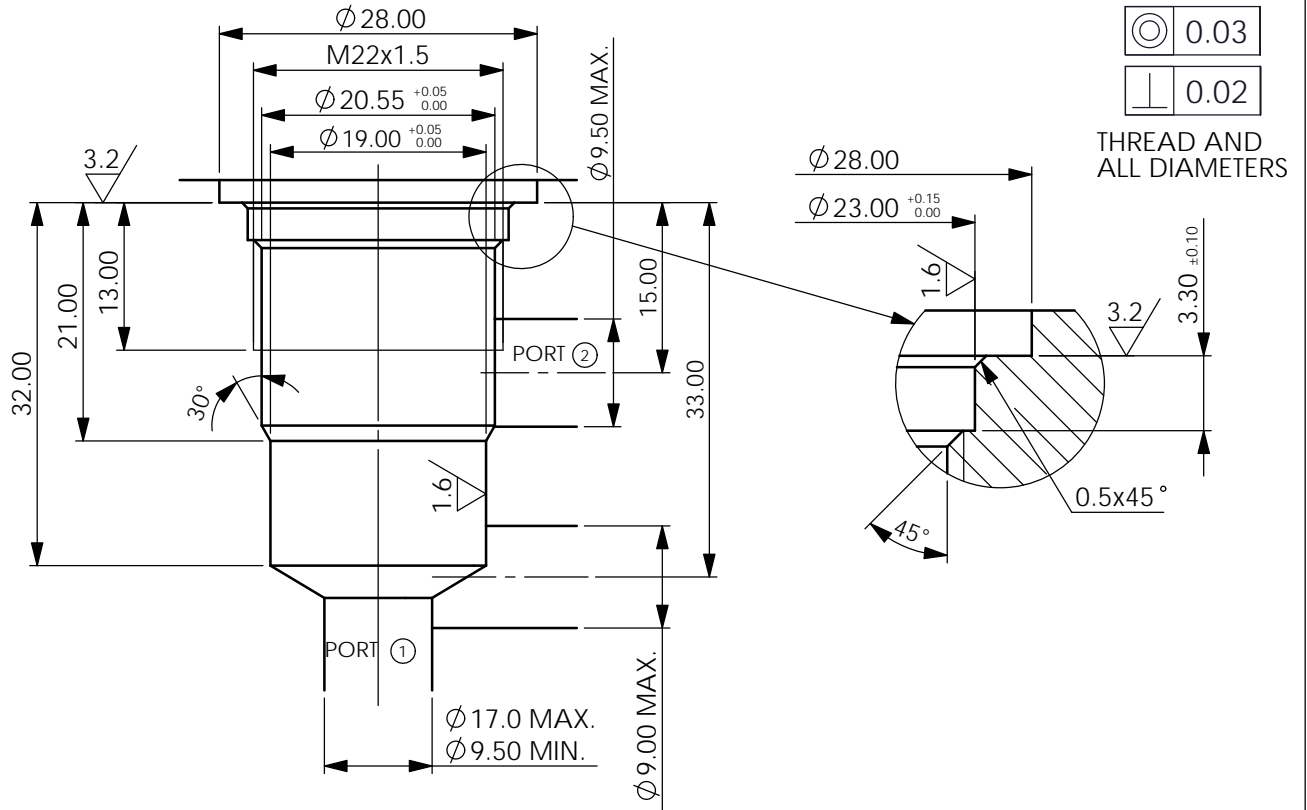


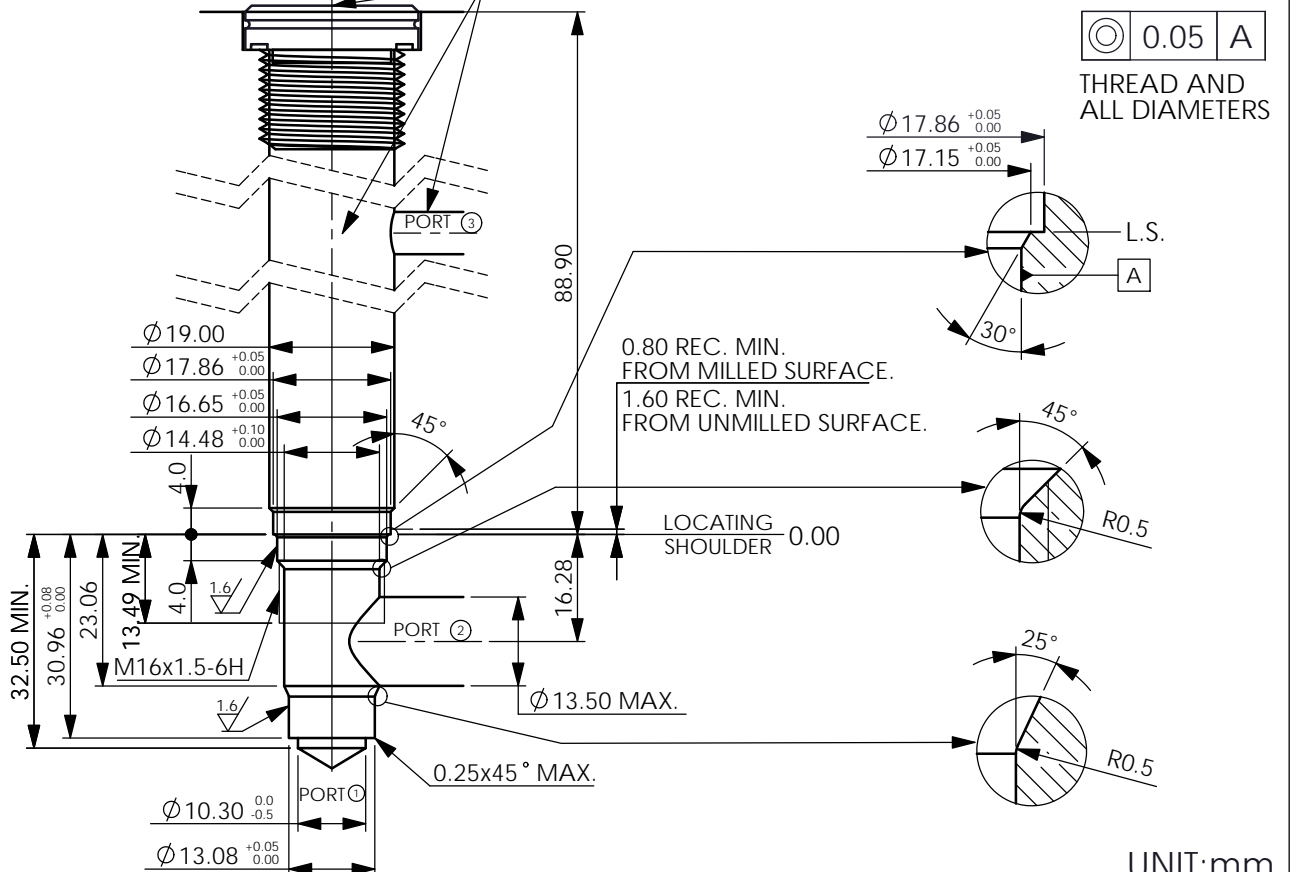
Cavity-Tooling:22M-2



UNIT:mm

PORT ③ OPTIONAL
DEPENDING ON
CARTRIDGE INSTALLED

Cavity-Tooling:162AP-2



UNIT:mm