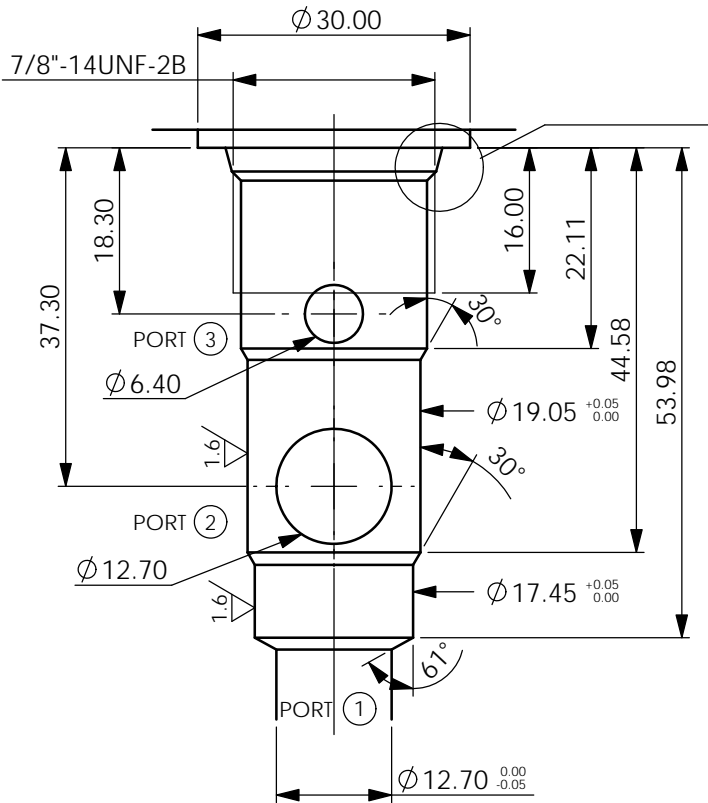


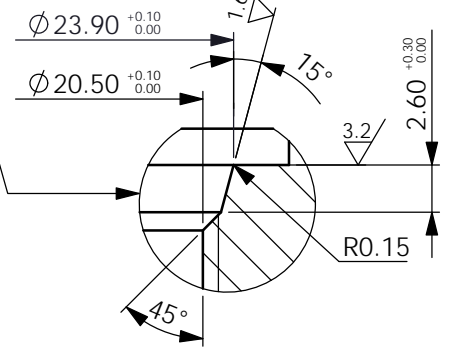
Cavity-Tooling:10WB-3



$\text{Ⓞ} 0.03$

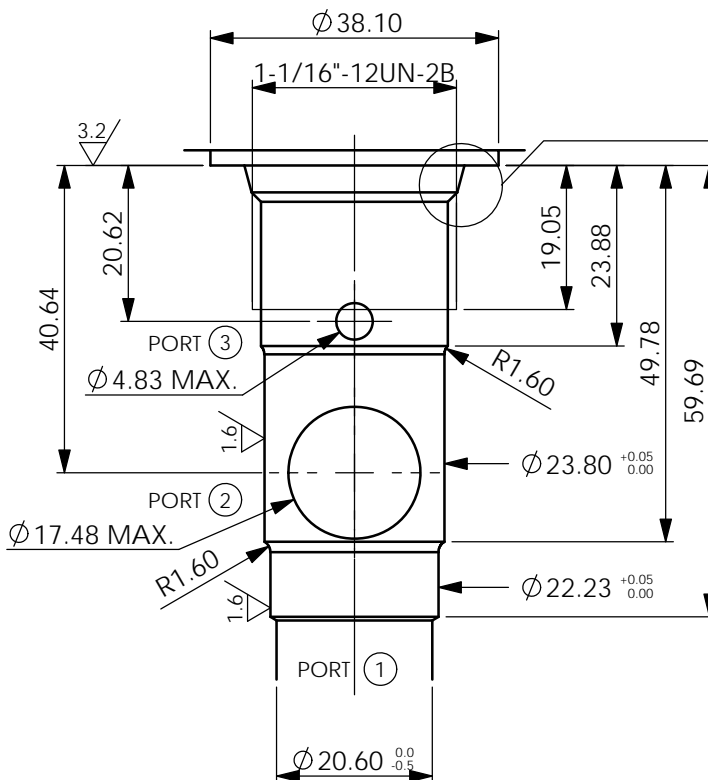
$\text{⊥} 0.02$

THREAD AND ALL DIAMETERS



UNIT:mm

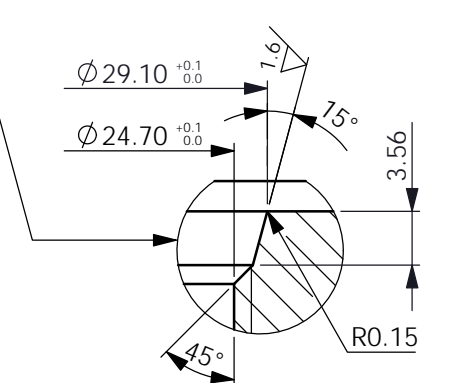
Cavity-Tooling:12B-3



$\text{Ⓞ} 0.03$

$\text{⊥} 0.02$

THREAD AND ALL DIAMETERS



UNIT:mm