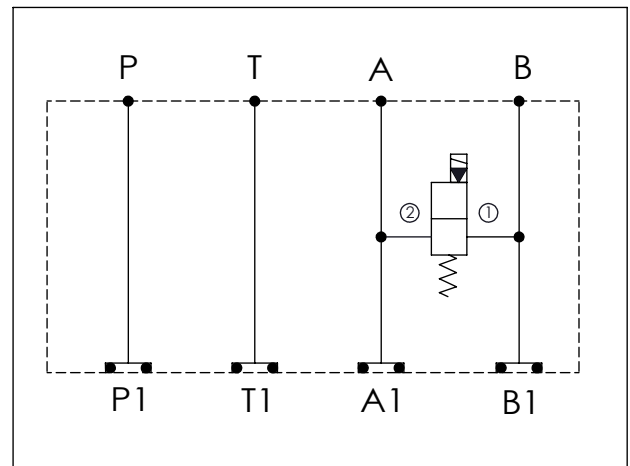
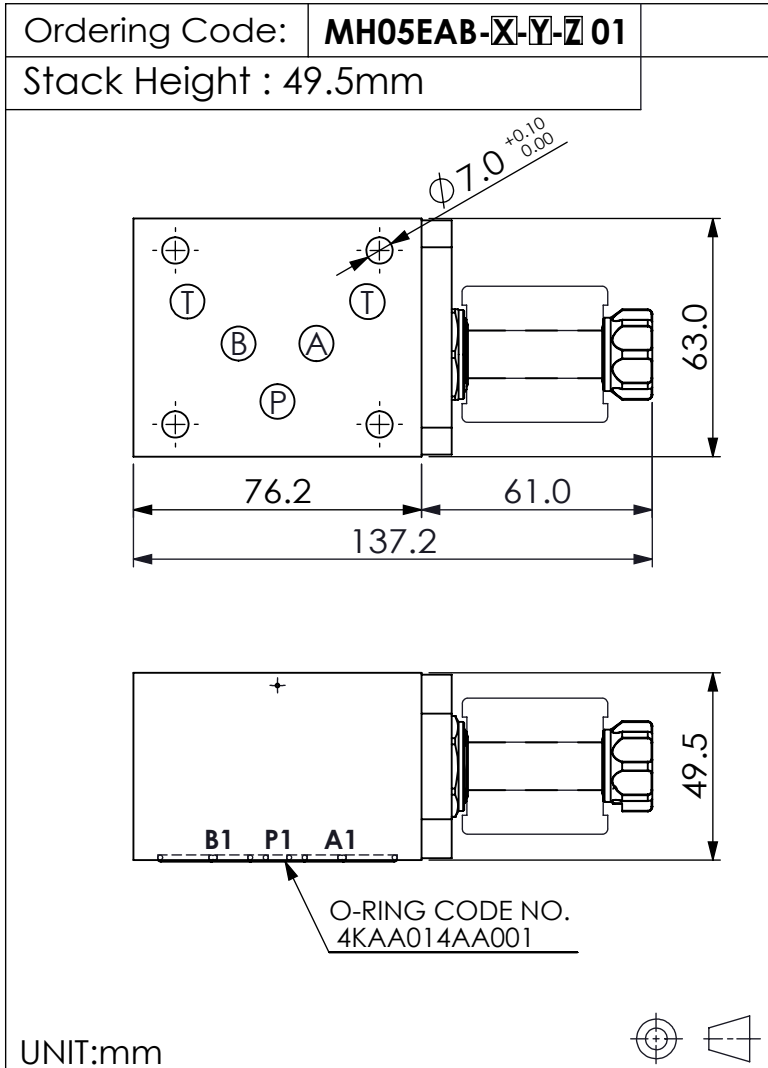


## ISO 05 SANDWICH MANIFOLD



### TECHNICAL DATA

Aluminum Body Pressure Rating: 210 bar

Ductile Iron

Body Pressure Rating: 350 bar

Rated flow: 80 l/min

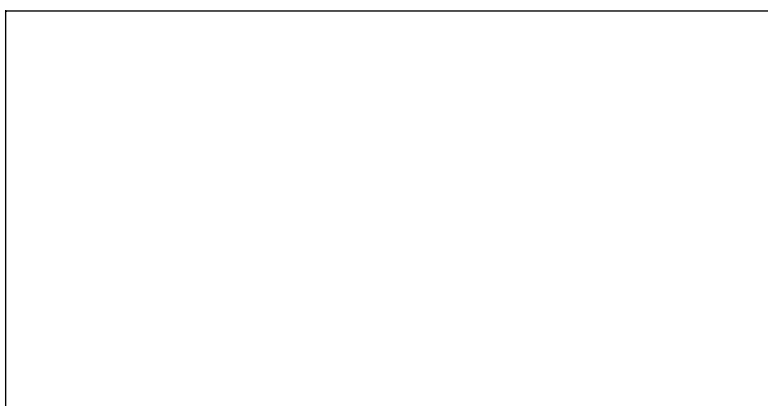
Cartridge Valve:

Refer to EP13A-X-Y-Z

\* Refer to Winner Cartridge Valves Catalog.

Aluminum	0.59 kg(WITHOUT VALVE) 0.73 kg(INCLUDE VALVE ,WITHOUT COIL)
Ductile Iron	1.71 kg(WITHOUT VALVE) 1.85 kg(INCLUDE VALVE ,WITHOUT COIL)

\* If you need the special specification.  
Please contact us.



Y	SELECTION FOR SOLENOID VALVES	
N	WITHOUT PORT	

X	SELECTION FOR P PORT CONTROL (REFER TO EP13A-X-Y-Z)
13A2	CAVITY ONLY(WITHOUT VALVE)
EP01	EP13A2A01N05 , 150LPM,350bar (NORMALLY CLOSED,WITHOUT COIL)
EP02	EP13A2A02N05 , 150LPM,350bar (NORMALLY OPEN,WITHOUT COIL)
EP01M	EP13A2A01M05 , 150LPM,350bar(NORMALLY CLOSED WITH KNOB STYLE MANUAL OVERRIDE,WITHOUT COIL)
EP02P	EP13A2A02P05 , 150LPM,350bar(NORMALLY OPEN WITH PUSH STYLE MANUAL OVERRIDE,WITHOUT COIL)
COIL MUST BE ORDERED SEPARATELY (REFER TO EC-04W-X-Y-Z)	

Z	BODY MATERIAL	
A	HIGH-STRENGTH ALUMINUM	
S	DUCTILE IRON	