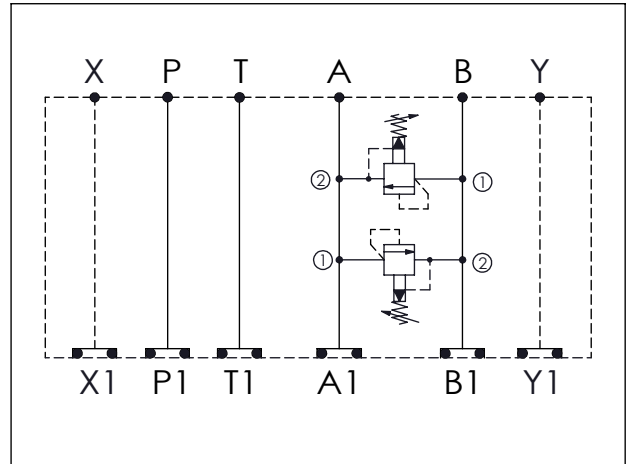


## ISO 08 SANDWICH MANIFOLD

Ordering Code: **MH08RDH-X-Y-Z 03**

Stack Height : 87.3mm

UNIT:mm



### TECHNICAL DATA

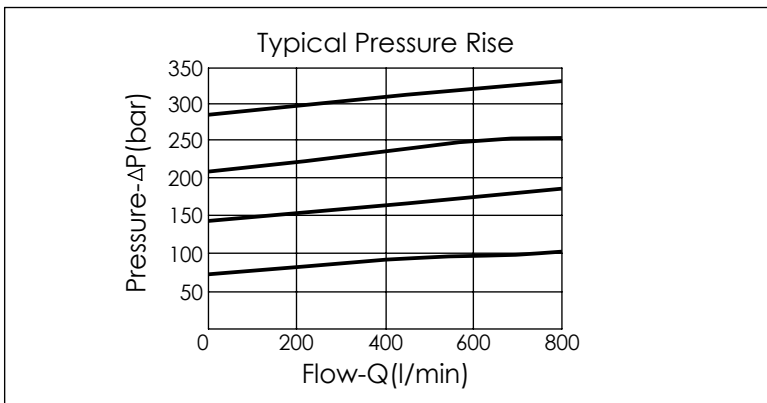
Aluminum Body Pressure Rating: 210 bar  
 Ductile Iron  
 Body Pressure Rating: 350 bar

Rated flow: 240 l/min

Cartridge Valve:  
 Refer to RP16A-X-Y-Z  
 \* Refer to Winner Cartridge Valve Catalog.

Aluminum	3.0 kg(WITHOUT VALVES) 4.06 kg(INCLUDE VALVES)
Ductile Iron	8.79 kg(WITHOUT VALVES) 9.85 kg(INCLUDE VALVES)

\* If you need the special specification.  
 Please contact us.



X	SELECTION FOR A PORT CONTROL
<b>16A2</b>	CAVITY ONLY(WITHOUT VALVE)
<b>RPOA</b>	RP16A20AL (380 LPM , 7-210bar)

Please refer to the list price of cartridge program.

Y	SELECTION FOR B PORT CONTROL
<b>16A2</b>	CAVITY ONLY(WITHOUT VALVE)
<b>RPOA</b>	RP16A20AL (380 LPM,7-210bar)

Please refer to the list price of cartridge program.

Z	BODY MATERIAL
<b>A</b>	HIGH-STRENGTH ALUMINUM
<b>S</b>	DUCTILE IRON